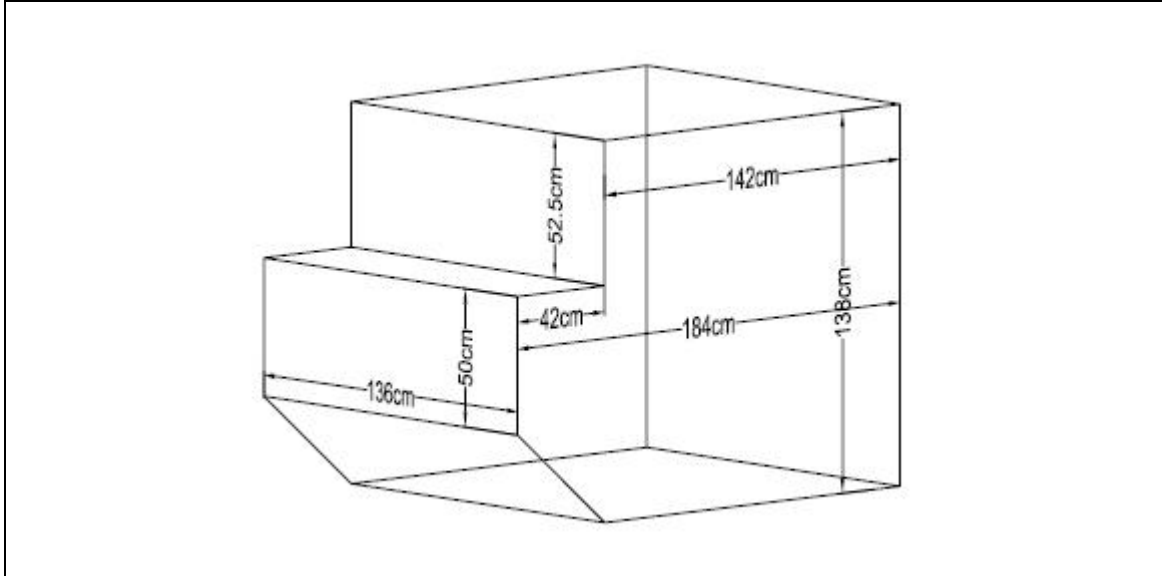
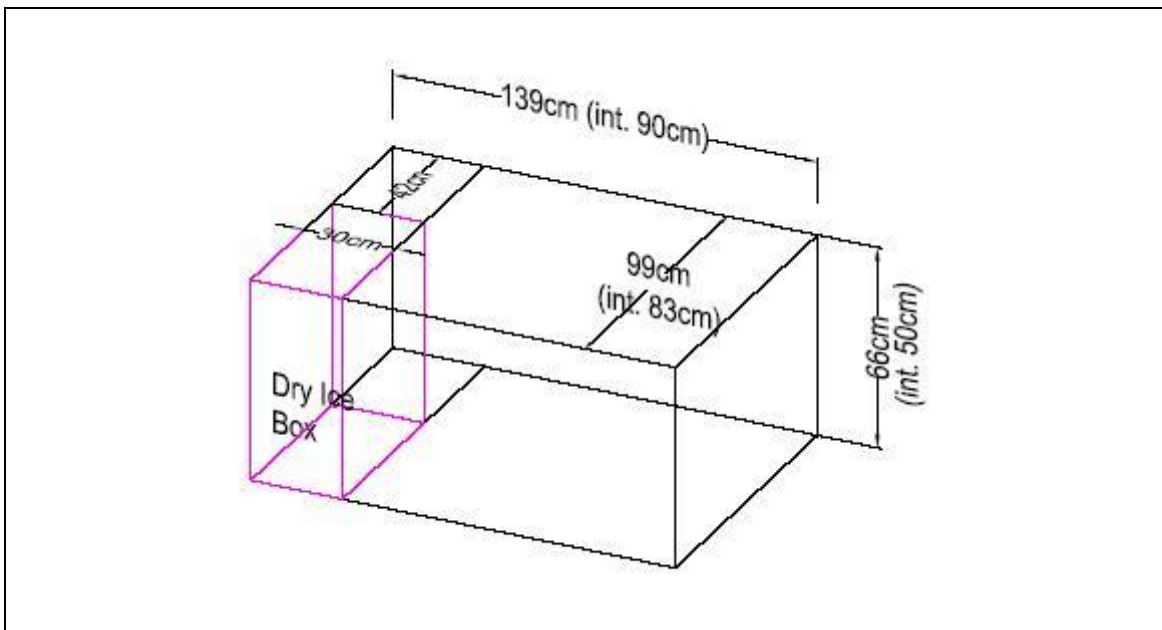


RKN 제원 (내부)



MYX 제원



외부 : 139cm X 99cm X 66cm, 내부 : 90cm X 83cm X 50cm,



Dry ice quantity

Container series / temperature of cargo

The quantity of dry ice is calculated according to the following tables in three steps:

- 1 Locate the table for the container type used and the temperature of cargo
- 2 Locate the ambient temperature
- 3 Look up the needed amount of dry ice

Depending on the ambient temperature, the dry ice is used unwrapped or wrapped.

Remarks:

Ambient temperature is the average ambient temperature that the container is exposed of during the shipment.

If the transportation time is exceeded, the dry ice box must be refilled with dry ice and new batteries must also be installed in the battery compartment.

RKN / -20°C / -4°F

Ambient temperature: all

Dry ice type: Unwrapped

Dry ice needed: Kg/lbs

Time, hours	Ambient Temp. °C / °F						
	10 / 50	15 / 59	20 / 68	25 / 77	30 / 86	35 / 95	40 / 104
10	36 / 79	42 / 93	48 / 106	54 / 119	60 / 132	66 / 146	72 / 159
15	54 / 119	63 / 139	72 / 159	81 / 179	90 / 198	99 / 218	108 / 238
20	72 / 159	84 / 185	96 / 212	108 / 238	120 / 265	132 / 291	144 / 317
25	90 / 198	105 / 231	120 / 265	135 / 298	150 / 331	165 / 364	
30	108 / 238	126 / 278	144 / 317	162 / 357			
35	126 / 278	147 / 324	168 / 370				
40	144 / 317	168 / 370					
45	162 / 357						



RKN / -15°C / 5°F

Ambient temperature: all

Dry ice type: Unwrapped

Dry ice need: Kg/lbs

Time, hours	Ambient Temp. °C / °F						
	10 / 50	15 / 59	20 / 68	25 / 77	30 / 86	35 / 95	40 / 104
10	30 / 66	36 / 79	42 / 93	48 / 106	54 / 119	60 / 132	66 / 146
15	45 / 99	54 / 119	63 / 139	72 / 159	81 / 179	90 / 198	99 / 218
20	60 / 132	72 / 159	84 / 185	96 / 212	108 / 238	120 / 265	132 / 291
25	75 / 165	90 / 198	105 / 231	120 / 265	135 / 298	150 / 331	165 / 364
30	90 / 198	108 / 238	126 / 278	144 / 317	162 / 357		
35	105 / 231	126 / 278	147 / 324	168 / 370			
40	120 / 265	144 / 317	168 / 370				
45	135 / 298	162 / 357					
50	150 / 331						
55	165 / 364						

RKN / -10°C / 14°F

Ambient temperature: -5 °C to +10 °C Dry ice type: Wrapped

Ambient temperature: +10 °C to +40 °C Dry ice type: Unwrapped

Dry ice need: Kg/lbs

Time, hours	Ambient Temp. °C / °F						
	10 / 50	15 / 59	20 / 68	25 / 77	30 / 86	35 / 95	40 / 104
10	22 / 48	27 / 60	32 / 71	38 / 83	43 / 95	49 / 107	54 / 119
15	32 / 71	41 / 89	49 / 107	57 / 125	65 / 143	73 / 161	81 / 179
20	43 / 95	54 / 119	65 / 143	76 / 167	86 / 190	97 / 214	108 / 238
25	54 / 119	68 / 149	81 / 179	95 / 208	108 / 238	122 / 268	135 / 298
30	65 / 143	81 / 179	97 / 214	113 / 250	130 / 286	146 / 321	162 / 357
35	76 / 167	95 / 208	113 / 250	132 / 292	151 / 333		
40	86 / 190	108 / 238	130 / 286	151 / 333			
45	97 / 214	122 / 268	146 / 321				
50	108 / 238	135 / 298	162 / 357				
55	119 / 262	149 / 327					
60	130 / 286	162 / 357					
65	140 / 310						
70	151 / 333						
75	162 / 357						



RKN / -5°C / 23°F

Ambient temperature: 0 °C to +15 °C Dry ice type: Wrapped

Ambient temperature: +15 °C to +40 °C Dry ice type: Unwrapped

Dry ice need: Kg/lbs

Time, hours	Ambient Temp. °C / °F						
	10 / 50	15 / 59	20 / 68	25 / 77	30 / 86	35 / 95	40 / 104
10	14 / 30	18 / 40	23 / 50	27 / 60	32 / 69	36 / 79	41 / 89
15	20 / 45	27 / 60	34 / 74	41 / 89	47 / 104	54 / 119	61 / 134
20	27 / 60	36 / 79	45 / 99	54 / 119	63 / 139	72 / 159	81 / 179
25	34 / 74	45 / 99	56 / 124	68 / 149	79 / 174	90 / 198	101 / 223
30	41 / 89	54 / 119	68 / 149	81 / 179	95 / 208	108 / 238	122 / 268
35	47 / 104	63 / 139	79 / 174	95 / 208	110 / 243	126 / 278	142 / 313
40	54 / 119	72 / 159	90 / 198	108 / 238	126 / 278	144 / 317	162 / 357
45	61 / 134	81 / 179	101 / 223	122 / 268	142 / 313	162 / 357	
50	68 / 149	90 / 198	113 / 248	135 / 298	158 / 347		
55	74 / 164	99 / 218	124 / 273	149 / 327			
60	81 / 179	108 / 238	135 / 298	162 / 357			
65	88 / 193	117 / 258	146 / 322				
70	95 / 208	126 / 278	158 / 347				
75	101 / 223	135 / 298					
80	108 / 238	144 / 317					
85	115 / 253	153 / 337					
90	122 / 268	162 / 357					
95	128 / 283						
100	135 / 298						



RKN / 0°C / 32°F

Ambient temperature: +5 °C to +25 °C Dry ice type: Wrapped

Ambient temperature: +25 °C to +40 °C Dry ice type: Unwrapped

Dry ice need: Kg/lbs

Time, hours	Ambient Temp. °C / °F						
	10 / 50	15 / 59	20 / 68	25 / 77	30 / 86	35 / 95	40 / 104
10	7 / 16	11 / 24	14 / 32	18 / 40	22 / 48	25 / 56	29 / 63
15	11 / 24	16 / 36	22 / 48	27 / 60	32 / 71	38 / 83	43 / 95
20	14 / 32	22 / 48	29 / 63	36 / 79	43 / 95	50 / 111	58 / 127
25	18 / 40	27 / 60	36 / 79	45 / 99	54 / 119	63 / 139	72 / 159
30	22 / 48	32 / 71	43 / 95	54 / 119	65 / 143	76 / 167	86 / 190
35	25 / 56	38 / 83	50 / 111	63 / 139	76 / 167	88 / 194	101 / 222
40	29 / 63	43 / 95	58 / 127	72 / 159	86 / 190	101 / 222	115 / 254
45	32 / 71	49 / 107	65 / 143	81 / 179	97 / 214	113 / 250	130 / 286
50	36 / 79	54 / 119	72 / 159	90 / 198	108 / 238	126 / 278	144 / 317
55	40 / 87	59 / 131	79 / 175	99 / 218	119 / 262	139 / 306	158 / 349
60	43 / 95	65 / 143	86 / 190	108 / 238	130 / 286	151 / 333	173 / 381
65	47 / 103	70 / 155	94 / 206	117 / 258	140 / 310	164 / 361	
70	50 / 111	76 / 167	101 / 222	126 / 278	151 / 333	176 / 389	
75	54 / 119	81 / 179	108 / 238	135 / 298	162 / 357		
80	58 / 127	86 / 190	115 / 254	144 / 317	173 / 381		
85	61 / 135	92 / 202	122 / 270	153 / 337			
90	65 / 143	97 / 214	130 / 286	162 / 357			
95	68 / 151	103 / 226	137 / 302	171 / 377			
100	72 / 159	108 / 238	144 / 317	180 / 397			



RKN / +5°C / 41°F

Ambient temperature: +10 °C to +25 °C Dry ice type: Wrapped

Ambient temperature: +25 °C to +40 °C Dry ice type: Unwrapped

Dry ice need: Kg/lbs

Time, hours	Ambient Temp. °C / °F						
	10 / 50	15 / 59	20 / 68	25 / 77	30 / 86	35 / 95	40 / 104
10	4 / 8	7 / 16	11 / 24	14 / 32	18 / 40	22 / 48	25 / 56
15	5 / 12	11 / 24	16 / 36	22 / 48	27 / 60	32 / 71	38 / 83
20	7 / 16	14 / 32	22 / 48	29 / 63	36 / 79	43 / 95	50 / 111
25	9 / 20	18 / 40	27 / 60	36 / 79	45 / 99	54 / 119	63 / 139
30	11 / 24	22 / 48	32 / 71	43 / 95	54 / 119	65 / 143	76 / 167
35	13 / 28	25 / 56	38 / 83	50 / 111	63 / 139	76 / 167	88 / 194
40	14 / 32	29 / 63	43 / 95	58 / 127	72 / 159	86 / 190	101 / 222
45	16 / 36	32 / 71	49 / 107	65 / 143	81 / 179	97 / 214	113 / 250
50	18 / 40	36 / 79	54 / 119	72 / 159	90 / 198	108 / 238	126 / 278
55	20 / 44	40 / 87	59 / 131	79 / 175	99 / 218	119 / 262	139 / 306
60	22 / 48	43 / 95	65 / 143	86 / 190	108 / 238	130 / 286	151 / 333
65	23 / 52	47 / 103	70 / 155	94 / 206	117 / 258	140 / 310	164 / 361
70	25 / 56	50 / 111	76 / 167	101 / 222	126 / 278	151 / 333	176 / 389
75	27 / 60	54 / 119	81 / 179	108 / 238	135 / 298	162 / 357	
80	29 / 63	58 / 127	86 / 190	115 / 254	144 / 317	173 / 381	
85	31 / 67	61 / 135	92 / 202	122 / 270	153 / 337		
90	32 / 71	65 / 143	97 / 214	130 / 286	162 / 357		
95	34 / 75	68 / 151	103 / 226	137 / 302	171 / 377		
100	36 / 79	72 / 159	108 / 238	144 / 317	180 / 397		



RKN / +10°C / 50°F

Ambient temperature: +15 °C to +25 °C Dry ice type: Wrapped

Ambient temperature: +25 °C to +40 °C Dry ice type: Unwrapped

Dry ice need: Kg/lbs

Time, hours	Ambient Temp. °C / °F						
	10 / 50	15 / 59	20 / 68	25 / 77	30 / 86	35 / 95	40 / 104
10	0 / 0	4 / 8	7 / 16	11 / 24	14 / 32	18 / 40	22 / 48
15	0 / 0	5 / 12	11 / 24	16 / 36	22 / 48	27 / 60	32 / 71
20	0 / 0	7 / 16	14 / 32	22 / 48	29 / 63	36 / 79	43 / 95
25	0 / 0	9 / 20	18 / 40	27 / 60	36 / 79	45 / 99	54 / 119
30	0 / 0	11 / 24	22 / 48	32 / 71	43 / 95	54 / 119	65 / 143
35	0 / 0	13 / 28	25 / 56	38 / 83	50 / 111	63 / 139	76 / 167
40	0 / 0	14 / 32	29 / 63	43 / 95	58 / 127	72 / 159	86 / 190
45	0 / 0	16 / 36	32 / 71	49 / 107	65 / 143	81 / 179	97 / 214
50	0 / 0	18 / 40	36 / 79	54 / 119	72 / 159	90 / 198	108 / 238
55	0 / 0	20 / 44	40 / 87	59 / 131	79 / 175	99 / 218	119 / 262
60	0 / 0	22 / 48	43 / 95	65 / 143	86 / 190	108 / 238	130 / 286
65	0 / 0	23 / 52	47 / 103	70 / 155	94 / 206	117 / 258	140 / 310
70	0 / 0	25 / 56	50 / 111	76 / 167	101 / 222	126 / 278	151 / 333
75	0 / 0	27 / 60	54 / 119	81 / 179	108 / 238	135 / 298	162 / 357
80	0 / 0	29 / 63	58 / 127	86 / 190	115 / 254	144 / 317	173 / 381
85	0 / 0	31 / 67	61 / 135	92 / 202	122 / 270	153 / 337	
90	0 / 0	32 / 71	65 / 143	97 / 214	130 / 286	162 / 357	
95	0 / 0	34 / 75	68 / 151	103 / 226	137 / 302	171 / 377	
100	0 / 0	36 / 79	72 / 159	108 / 238	144 / 317	180 / 397	



RKN / +15°C / 59°F

Ambient temperature: +20 °C to +30 °C Dry ice type: Wrapped

Ambient temperature: +30 °C to +40 °C Dry ice type: Unwrapped

Dry ice need: Kg/lbs

Time, hours	Ambient Temp. °C / °F						
	10 / 50	15 / 59	20 / 68	25 / 77	30 / 86	35 / 95	40 / 104
10	0 / 0	0 / 0	4 / 8	7 / 16	11 / 24	14 / 32	18 / 40
15	0 / 0	0 / 0	5 / 12	11 / 24	16 / 36	22 / 48	27 / 60
20	0 / 0	0 / 0	7 / 16	14 / 32	22 / 48	29 / 63	36 / 79
25	0 / 0	0 / 0	9 / 20	18 / 40	27 / 60	36 / 79	45 / 99
30	0 / 0	0 / 0	11 / 24	22 / 48	32 / 71	43 / 95	54 / 119
35	0 / 0	0 / 0	13 / 28	25 / 56	38 / 83	50 / 111	63 / 139
40	0 / 0	0 / 0	14 / 32	29 / 63	43 / 95	58 / 127	72 / 159
45	0 / 0	0 / 0	16 / 36	32 / 71	49 / 107	65 / 143	81 / 179
50	0 / 0	0 / 0	18 / 40	36 / 79	54 / 119	72 / 159	90 / 198
55	0 / 0	0 / 0	20 / 44	40 / 87	59 / 131	79 / 175	99 / 218
60	0 / 0	0 / 0	22 / 48	43 / 95	65 / 143	86 / 190	108 / 238
65	0 / 0	0 / 0	23 / 52	47 / 103	70 / 155	94 / 206	117 / 258
70	0 / 0	0 / 0	25 / 56	50 / 111	76 / 167	101 / 222	126 / 278
75	0 / 0	0 / 0	27 / 60	54 / 119	81 / 179	108 / 238	135 / 298
80	0 / 0	0 / 0	29 / 63	58 / 127	86 / 190	115 / 254	144 / 317
85	0 / 0	0 / 0	31 / 67	61 / 135	92 / 202	122 / 270	153 / 337
90	0 / 0	0 / 0	32 / 71	65 / 143	97 / 214	130 / 286	162 / 357
95	0 / 0	0 / 0	34 / 75	68 / 151	103 / 226	137 / 302	171 / 377
100	0 / 0	0 / 0	36 / 79	72 / 159	108 / 238	144 / 317	180 / 397

Refrigerated container with temperature control RKN series and RAP series

Technical data

Dimensions and weight

For detailed information on each individual container, please refer to the type label.

Container series RKN

Container dimensions According to LD-3

External Length/Width/Height: 200/153/162 cm / 79/60,4/64 inch

Maximum Internal Length/Width/Height: 188/139/137 cm / 74,2/54,9/54,1 inch

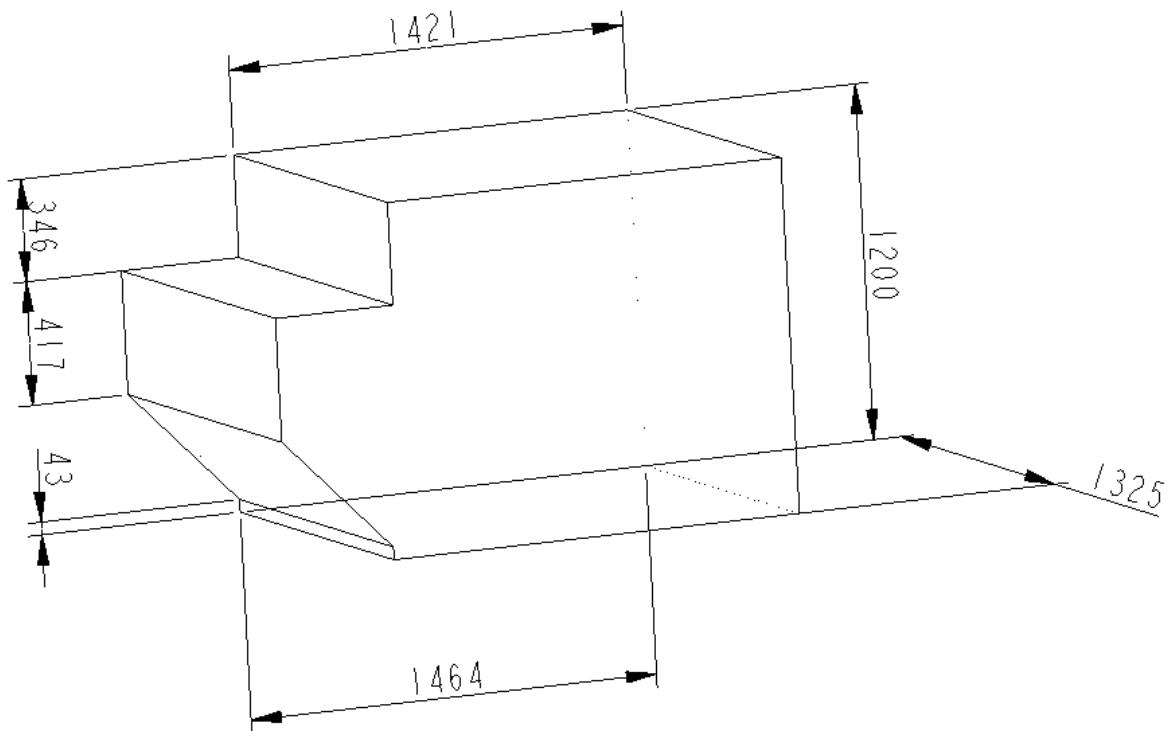
Internal Cube for Refrigerated Cargo: 3,1 cubic m / 109 cubic ft

Dry Ice Bunker Capacity: 180 kg / 400 Lbs

Tara Weight: Refer to type label

Maximum Gross Weight incl. Dry Ice: 1588 kg / 3500 Lbs

Loading area (mm)





Dry ice quantity Temperature of cargo

The quantity of dry ice is calculated according to the following tables in three steps:

- 1 Locate the table for the container type used and the temperature of cargo
- 2 Locate the ambient temperature
- 3 Look up the needed amount of dry ice

Depending on the ambient temperature, the dry ice is used unwrapped or wrapped.

Remarks:

Ambient temperature is the average ambient temperature that the container is exposed of during the shipment.

If the transportation time is exceeded, the dry ice box must be refilled with dry ice and new batteries must also be installed in the battery compartment.

MYX / -20°C / -4°F

Ambient temperature: All

Dry ice type: Unwrapped

Dry ice need: Kg/lbs

Time, hours	Ambient Temp. °C / °F						
	10 / 50	15 / 59	20 / 68	25 / 77	30 / 86	35 / 95	40 / 104
6	8 / 18	10 / 21	11 / 24	12 / 27	14 / 30	15 / 33	16 / 36
12	16 / 36	19 / 42	22 / 48	24 / 54			
18	24 / 54						

MYX / -10°C / 14°F

Ambient temperature: 0 °C to +15 °C

Dry ice type: Wrapped

Ambient temperature: +15 °C to +40 °C

Dry ice type: Unwrapped

Dry ice need: Kg/lbs

Time, hours	Ambient Temp. °C / °F						
	10 / 50	15 / 59	20 / 68	25 / 77	30 / 86	35 / 95	40 / 104
6	6 / 13	7 / 16	7 / 16	8 / 18	9 / 21	11 / 23	12 / 26
12	12 / 26	15 / 32	14 / 31	16 / 36	19 / 41	21 / 47	23 / 52
18	18 / 39	22 / 48	21 / 47	25 / 54			
24	23 / 52						



MYX/0°C/32°F

Ambient temperature: +5 °C to +25 °C Dry ice type: Wrapped

Ambient temperature: +25 °C to +40 °C Dry ice type: Unwrapped

Dry ice need: Kg/lbs

Time, hours	Ambient Temp. °C / °F						
	10 / 50	15 / 59	20 / 68	25 / 77	30 / 86	35 / 95	40 / 104
6	1 / 3	2 / 5	3 / 6	4 / 8	3 / 7	4 / 9	5 / 10
12	3 / 6	4 / 9	6 / 12	7 / 16	7 / 15	8 / 17	9 / 20
18	4 / 9	6 / 14	8 / 19	11 / 23	10 / 22	12 / 26	14 / 30
24	6 / 12	9 / 19	11 / 25	14 / 31	14 / 30	16 / 35	18 / 40

MYX/+5°C/41°F

Ambient temperature: +10 °C to +30 °C Dry ice type: Wrapped

Ambient temperature: +30 °C to +40 °C Dry ice type: Unwrapped

Dry ice need: Kg/lbs

Time, hours	Ambient Temp. °C / °F						
	10 / 50	15 / 59	20 / 68	25 / 77	30 / 86	35 / 95	40 / 104
6	1 / 2	1 / 3	2 / 5	3 / 6	4 / 8	3 / 7	4 / 9
12	1 / 3	3 / 6	4 / 9	6 / 12	7 / 16	7 / 15	8 / 17
18	2 / 5	4 / 9	6 / 14	8 / 19	11 / 23	10 / 22	12 / 26
24	3 / 6	6 / 12	8 / 19	11 / 25	14 / 31	14 / 30	16 / 35

MYX/+10°C/50°F

Ambient temperature: +15 °C to +35 °C Dry ice type: Wrapped

Ambient temperature: +35 °C to +40 °C Dry ice type: Unwrapped

Dry ice need: Kg/lbs

Time, hours	Ambient Temp. °C / °F						
	10 / 50	15 / 59	20 / 68	25 / 77	30 / 86	35 / 95	40 / 104
6	0 / 0	1 / 2	1 / 3	2 / 5	3 / 6	4 / 8	3 / 7
12	0 / 0	1 / 3	3 / 6	4 / 9	6 / 12	7 / 16	7 / 15
18	0 / 0	2 / 5	4 / 9	6 / 14	8 / 19	11 / 23	10 / 22
24	0 / 0	3 / 6	6 / 12	8 / 19	11 / 25	14 / 31	14 / 30



MYX / +15°C / 59°F

Ambient temperature: All

Dry ice type: Wrapped

Dry ice need: Kg/lbs

Time, hours	Ambient Temp. °C / °F						
	10 / 50	15 / 59	20 / 68	25 / 77	30 / 86	35 / 95	40 / 104
6	0 / 0	0 / 0	1 / 2	1 / 3	2 / 5	3 / 6	4 / 8
12	0 / 0	0 / 0	1 / 3	3 / 6	4 / 9	6 / 12	7 / 16
18	0 / 0	0 / 0	2 / 5	4 / 9	6 / 4	8 / 19	11 / 23
24	0 / 0	0 / 0	3 / 6	6 / 12	8 / 19	11 / 25	14 / 23

Refrigerated container with temperature control MYX series

Technical data

For detailed information on each individual container, please refer to the type label.

External Cube.....	1.0 cubic m / 35 cubic ft
External Length / Width / Height	140/100/75 cm / 55/39/29.5 inch
External Length / Width of Shell Top	118/84 cm / 46.5/33 inch
Internal Cube	0.43 cubic m / 15 cubic ft
Internal Cube For Refrigerated Cargo	0.37 cubic m / 13 cubic ft
Maximum Internal Length / Width / Height .	122/82/49 cm / 48.3/32.6/19.3 inch
Internal Length / Width of Shell Box	93/82 cm / 36.8/32.6 inch
Dry Ice Bunker Capacity.....	25 kg / 55 lbs
Tare Weight.....	100 kg / 220 lbs
Maximum Gross Weight Incl. Dry Ice	400 kg / 882 lbs
Maximum Net Weight Without Dry Ice	300 kg / 661 lbs
Door Opening (Length x Width)	93 x 82 cm / 36.8 x 32.6 inch
Loading area (mm)	

